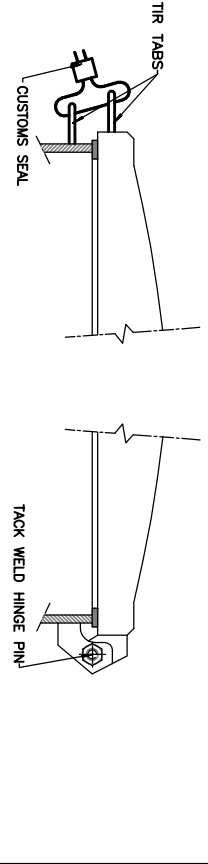
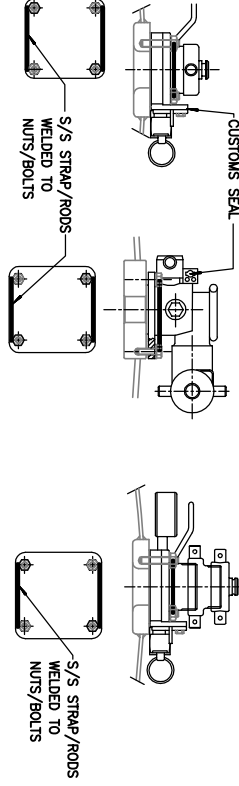


PRESSURE RELIEF VALVE & PROVISION

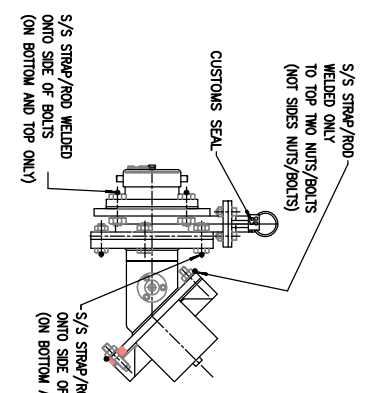


MANLID

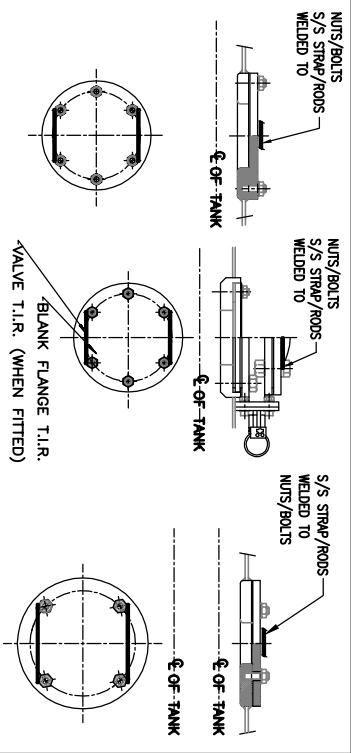
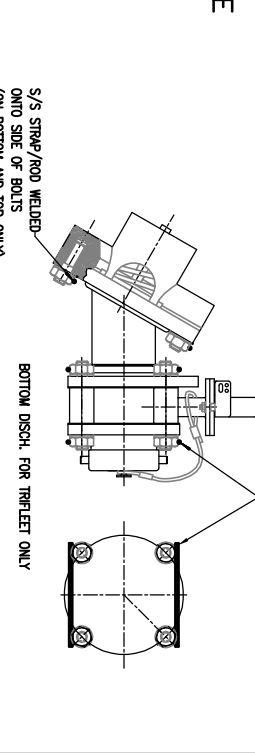
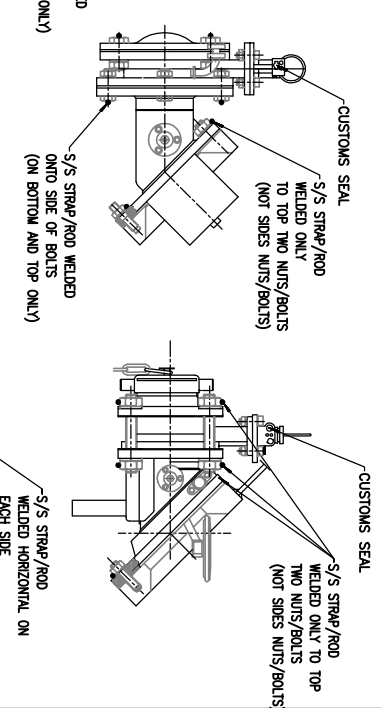
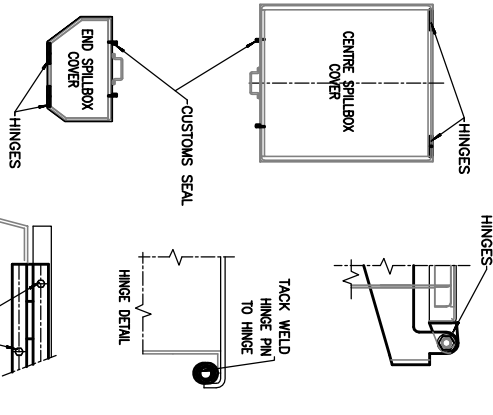
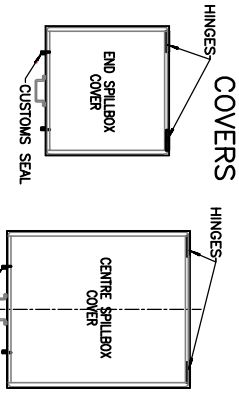


NOTE :
 WIRE POSITION AS ILLUSTRATED,
 INDEPENDENT OF VALVE ORIENTATION

AIR INLET



BOTTOM DISCHARGE



TOP DISCH./VAPOUR OUTLET & PROVISION

TOTAL QTY	DESCRIPTION	MATERIAL	PART NUMBER	WG
1	UNLIMITEED UNLESS OTHERWISE STATED	UNLIMITEED REPRODUCTION AND REVISIONS	DATE: 19/08/2000	
1	LINEAR	SCALE: 1:1	DATE: 19/08/2000	
1	REVISION	BY: BT	DATE: 19/08/2000	
1	REVISION	BY: BT	DATE: 19/08/2000	

REV	DATE	DESCRIPTION
1	19/08/00	ORIGINAL DESIGN
2	19/08/00	REVISION: MATERIAL
3	19/08/00	REVISION: DIMENSIONS

NO.	DESCRIPTION	QUANTITY	UNIT
1	UNLIMITEED UNLESS OTHERWISE STATED	1	EA